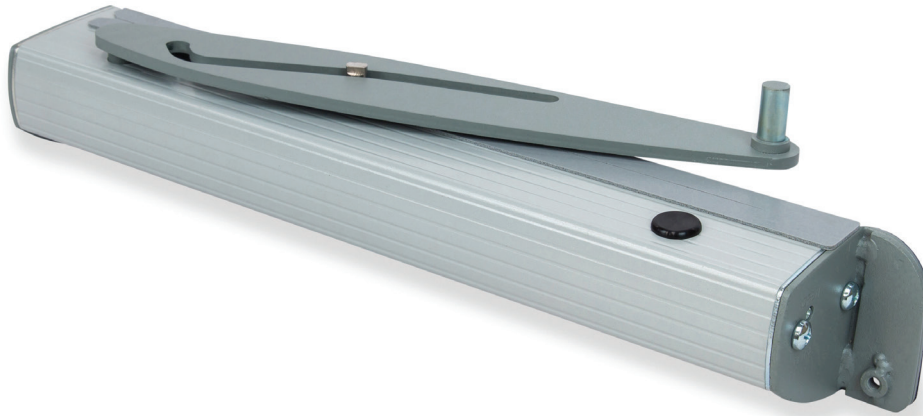


SHEVTEC Smoke Shaft Door Actuator

Smoke Control for Doors



SHEVTEC Smoke Shaft Door Actuator

SE Controls SHEVTEC Smoke Shaft Door Actuator is a ventilation solution that can be used in a natural or mechanical shaft as an alternative to dampers within a commercial or residential application.

Tested to EN12101-2:2003 Annex G, the SHEVTEC Smoke Shaft Door Actuator offers the construction industry a fully certified fit for purpose solution. The actuator can be fitted to either side of the smoke shaft door and can be removed for maintenance via security tooling.

To meet the stringent requirements of opening and closing a sealed smoke door, the actuator has been rigorously cycle tested for reliability and operation at 300°C in accordance to EN12101-2:2003. The actuator is power open, power close to maintain shaft integrity for the unaffected floors when subjected to high temperatures within the shaft.

Accreditations

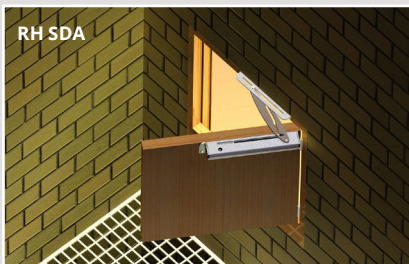
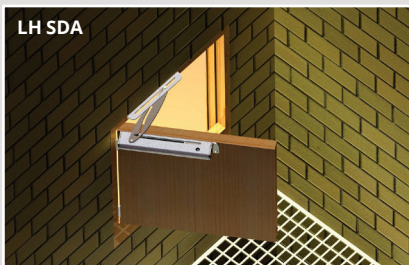
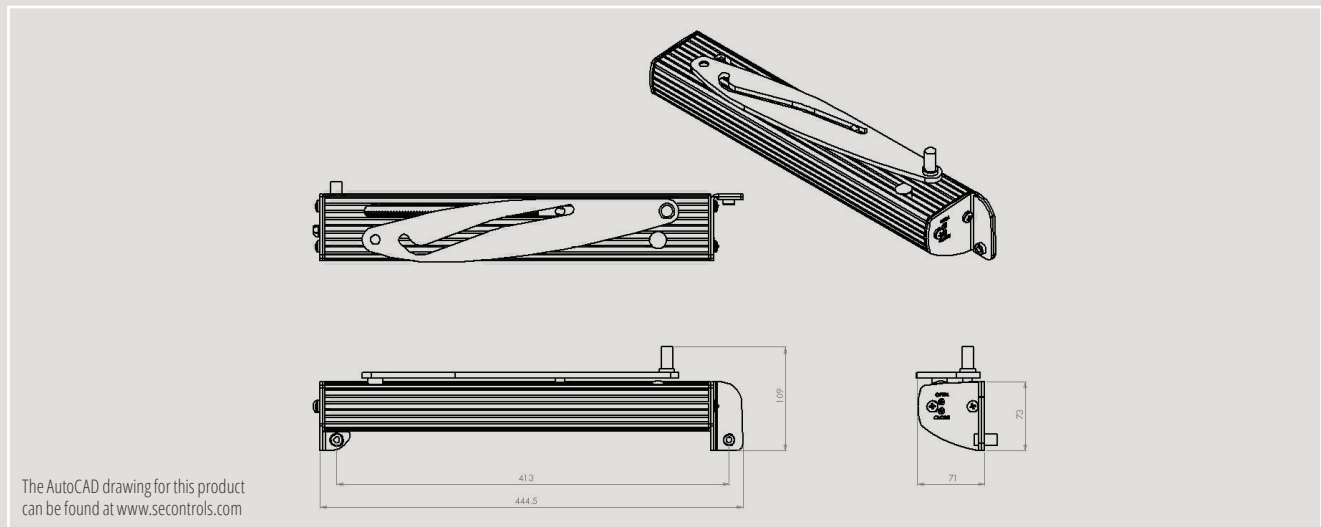
Certified and tested to Annex G of EN12101-2:2003.



Applications



Technical Drawing



Smoke Door Actuator Selection

Method to determine whether you need a left hand device or a right handed device:

Standing inside the shaft with the door opening in toward you, if the hinges are on the left side of the door you need a left hand SDA (AAS 0090 0001), if the hinges are on the right you need a right hand SDA (AAS 0090 0002).

If you are corridor-side mounting this process is still the same; select as if viewing from the inside of the shaft.

Other considerations:

- Is there a grille? If yes, use door mounted SDA inside the shaft. If no, use frame mounted option on corridor side.
- Is there sufficient space (70mm) behind the door to accept SDA depth when opened at 90°? If not, you may still use the SDA but the door will not open to 90°. You will need to assess whether this is acceptable.

Recommended configuration and controls:

SE Controls SHEVTEC Smoke Shaft Door actuator requires a low voltage control system such as OSLoop or the OS2 controller range. Other operating systems may be used if they have built in suitable time delay between switching.

Please call an SE Controls sales representative for recommendations.

Technical Data

Type	Actuator
Voltage	24V dc
Current	0.5A
Max Force	2000N
Speed with Nominal Load	Door to open to 90° within 60 seconds
Operating Temperature	In line with EN12101-2:2003 Annex G
Life Cycle	5000
Flex	2 core silicone
Dimensions	See above
Switching	Electronic
Type of Switch	Positional Limiting
Fixing Options	Door or frame, top or bottom
IP Rating	IP20
Intumescent Seal	1mm mounted under actuator bracket
Application	Smoke Ventilation